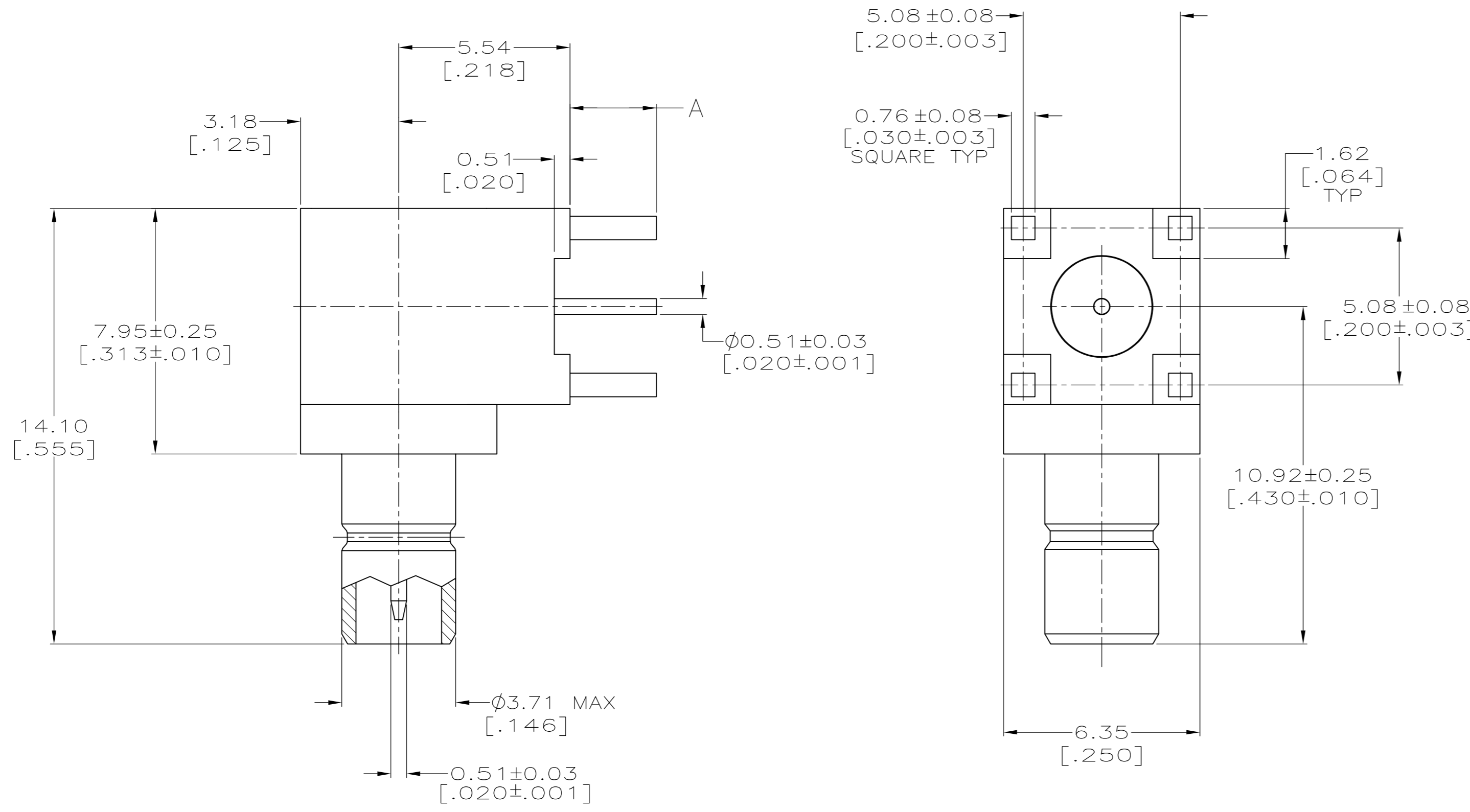
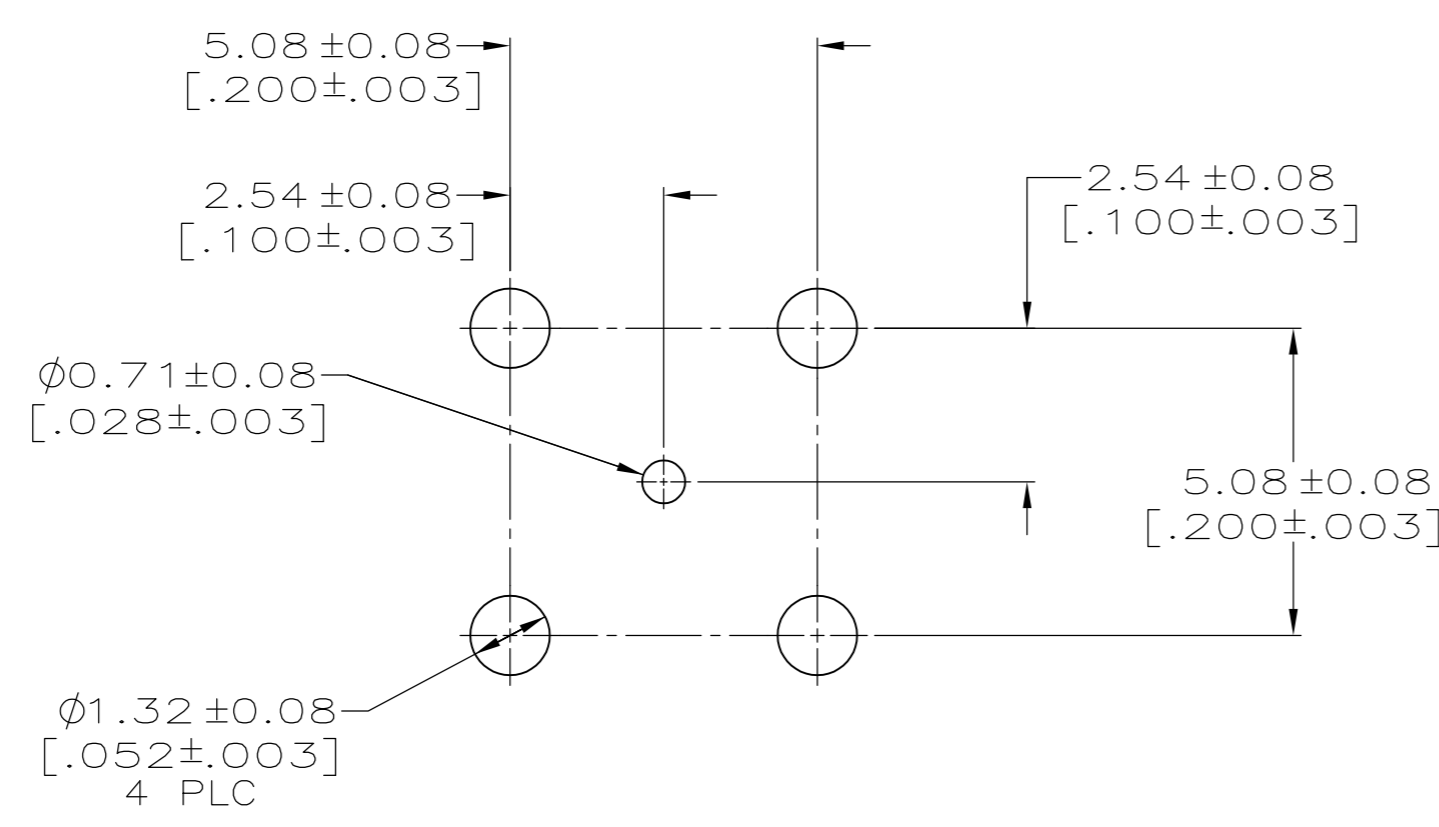


THIS DRAWING IS UNPUBLISHED. RELEASED FOR PUBLICATION
 © COPYRIGHT - By - ALL RIGHTS RESERVED.

LOC	DIST	REVISIONS			
P	LTR	DESCRIPTION	DATE	DWN	APVD
AJ	16	A	ECR-12-005726	27MAR12	RK MY



- 1 MATERIALS:
 LEG BODY: BRASS PER QQ-B-626.
 FRONT BODY: BRASS PER QQ-B-626.
 CONTACT: BRASS PER QQ-B-626.
 DIELECTRICS: PTFE PER ASTM-D-1710.
- 2 FINISHES:
 CONTACT: GOLD PER MIL-G-45204.
 LEG BODY: NICKEL PER QQ-N-290.
 FRONT BODY: GOLD PER MIL-G-45204.
- 3 FINISHES:
 CONTACT: GOLD PER MIL-G-45204.
 LEG BODY: NICKEL PER QQ-N-290.
 FRONT BODY: NICKEL PER QQ-N-290.



RECOMMENDED PCB CPNFIGURATION

2.11 [.083]	3	415490-4
2.11 [.083]	2	415490-3
2.79 [.110]	3	415490-2
2.79 [.110]	2	415490-1
A	FINISH	PART NUMBER

THIS DRAWING IS A CONTROLLED DOCUMENT.		DWN	22APR96	TE Connectivity	
DIMENSIONS: mm [INCHES]		CHK	B. MOYER		
TOLERANCES UNLESS OTHERWISE SPECIFIED:		APVD	G. MICHAEL		
0 PLC ± -		PRODUCT SPEC	G. MICHAEL		
1 PLC ± -		APPLICATION SPEC	G. MICHAEL		
2 PLC ± 0.13 [.005]		WEIGHT	-	NAME	
3 PLC ± -		MATERIAL		JACK, RTANG, PCB,	
4 PLC ± -		FINISH		75 OHM, MINI-SMB	
ANGLES ± -		CUSTOMER DRAWING		SIZE	A2
FINISH		SCALE		CAGE CODE	00779
FINISH		SHEET		DRAWING NO	C=415490
FINISH		REV		RESTRICTED TO	-
FINISH		REV		A	